



## UNIVERSITY COLLEGE TATI (UCTATI)

## FINAL EXAMINATION QUESTION BOOKLET

COURSE CODE	:	BCE 1102
COURSE TITLE	:	ENGINEERING DRAWING
SEMESTER/SESSION	:	1 - 2023/2024
DURATION	:	3 HOURS

Instructions:

1. This booklet contains **5** questions. Answer **all** questions.
2. All answers should be drawn in **A3** paper.
3. Write legibly and draw sketches wherever required.
4. Question booklet need to be returned after session ends.
5. If in doubt, raise up your hands and ask the invigilator.

**DO NOT OPEN THIS BOOKLET UNTIL YOU ARE TOLD TO DO SO**

**THIS BOOKLET CONTAINS 6 PRINTED PAGES INCLUDING COVER PAGE**

QUESTION 1

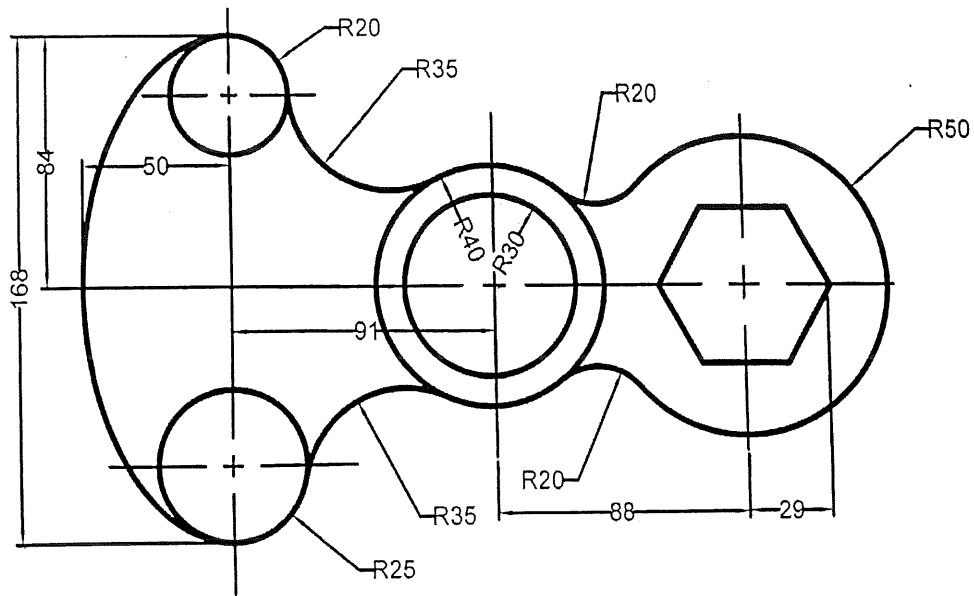


FIGURE 1

- a) Produce the given drawing in Figure 1 according to the geometrical (22 marks) construction procedures and complete the drawing with standard dimensions.

QUESTION 2

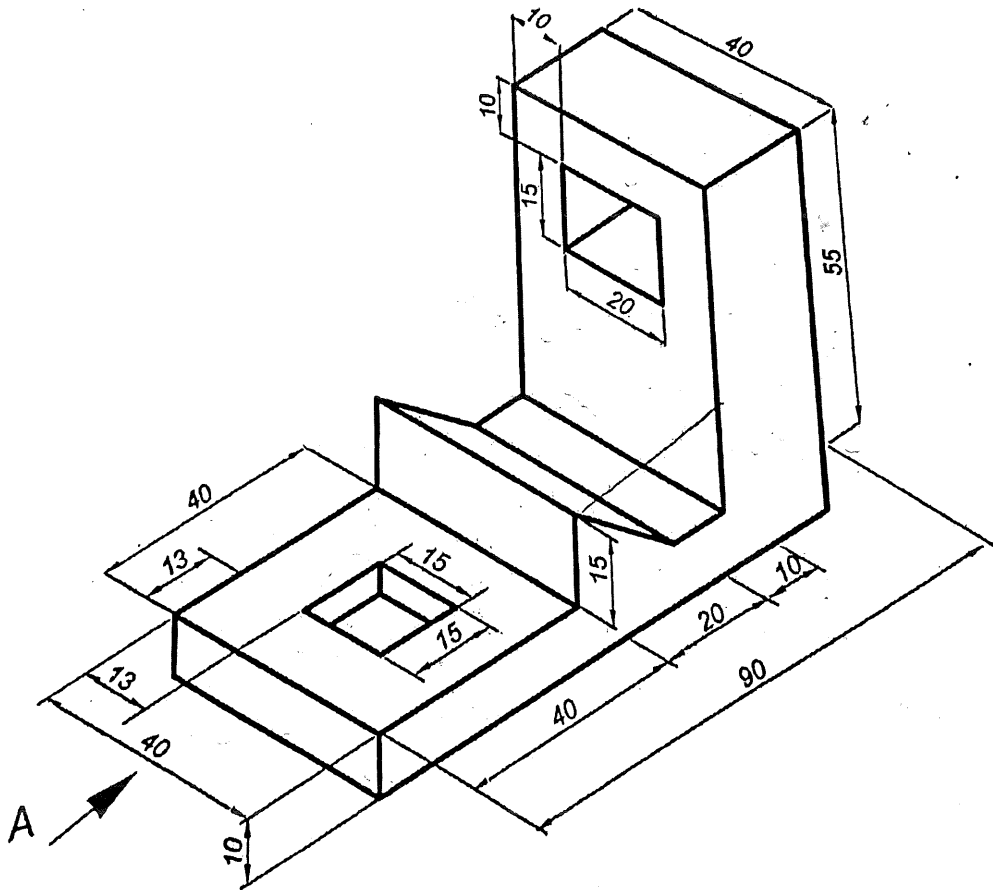
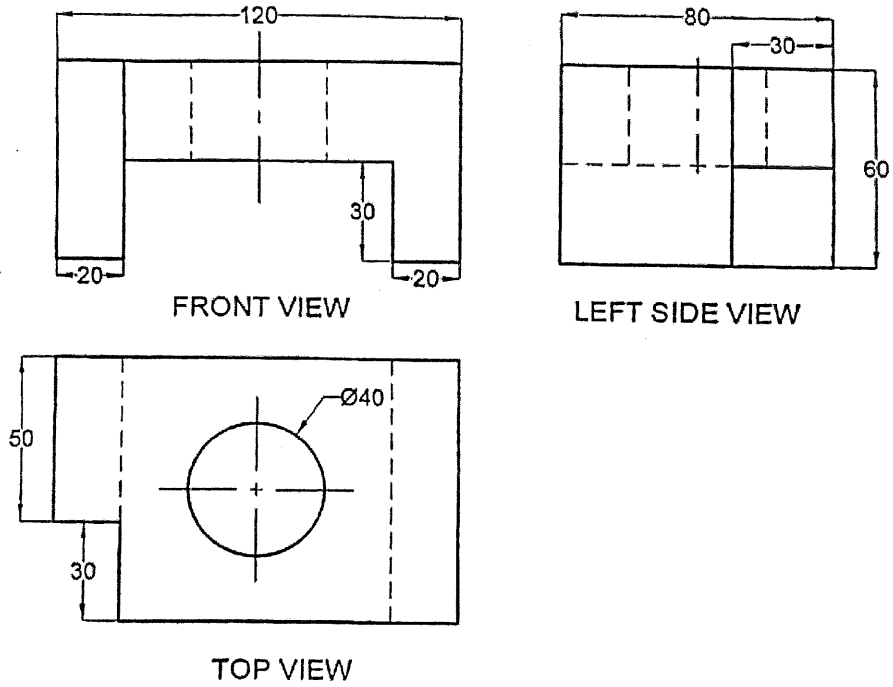


FIGURE 2

a) Figure 2 shows the isometric view of a part. Depict the part in full scale using 3<sup>rd</sup> Angle Orthographic projection. (Do not dimensioning)

- i. Front view as seen in the direction A (5 marks)
- ii. Top view (5 marks)
- iii. Side view (5 marks)

**QUESTION 3**



**FIGURE 3**

- a) Illustrate the isometric view for the orthographic drawing in Figure 3. (15 marks)

QUESTION 4

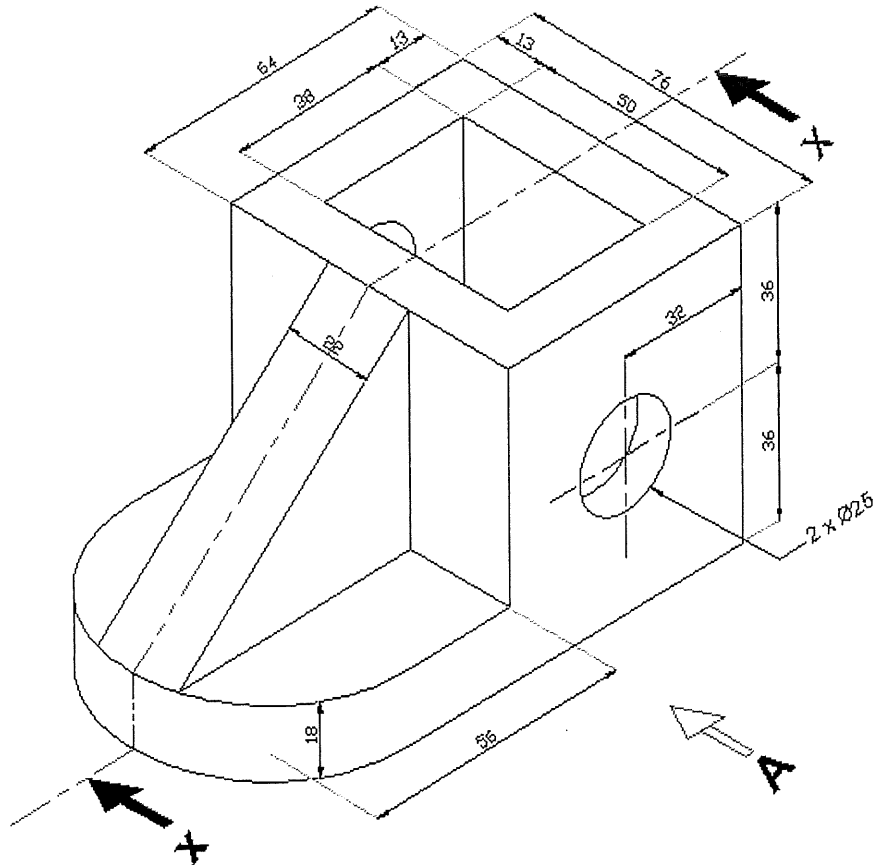


FIGURE 4

- a) Figure 4 shows an isometric view with its cutting plane (XX). Construct the sectional view in full scale. (33 marks)

ENGINEERING DRAWING (BCE 1102)

QUESTION 5

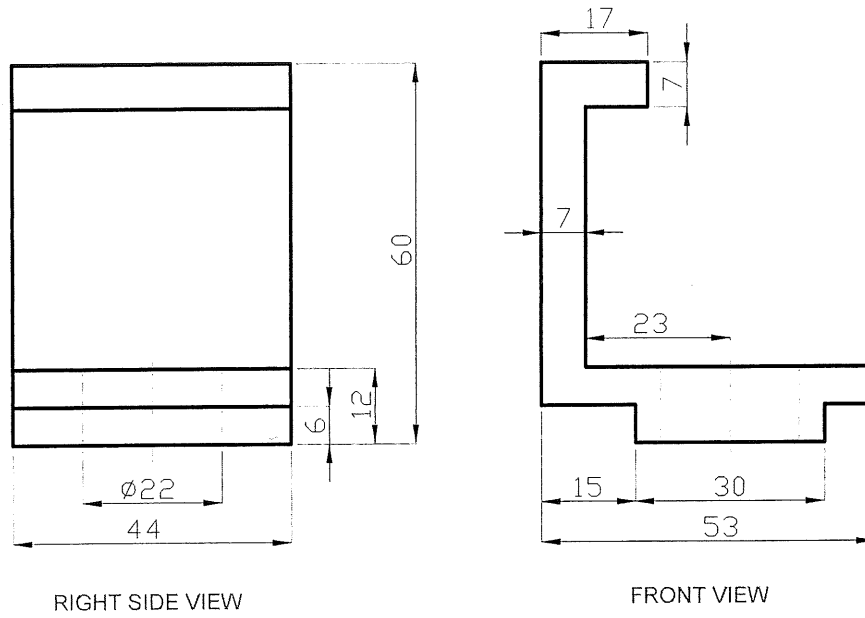


FIGURE 5

- a) Figure 5 consist of two views of a component in 1<sup>st</sup> angle projection. From these views; produce an isometric view for the given drawing and the missing view for the object. (15 marks)

-----End of questions-----